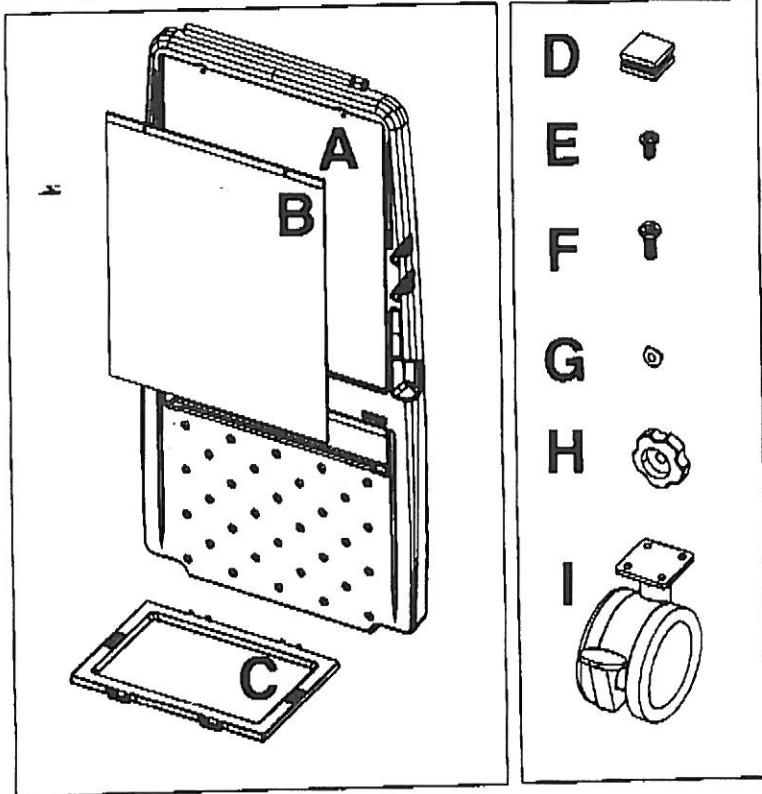
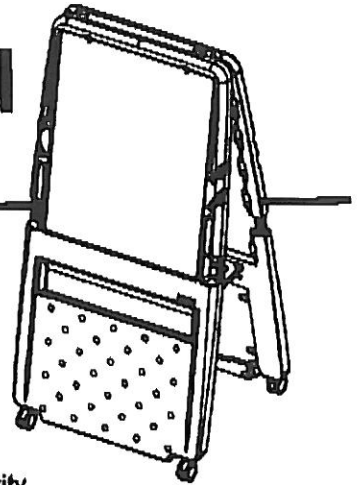


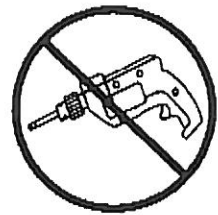


Presentation Easel

30137

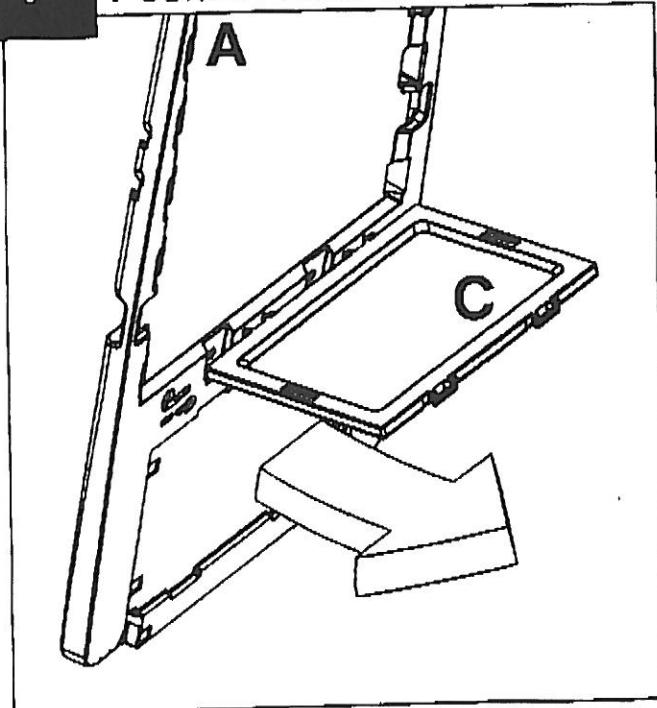


- Item Description/Quantity**
- A. Panel (2)
 - B. Paper Pad (1)
 - C. Shelf (1)
 - D. DualLock® (6 prs)
 - E. 1/4" X 20 X 5/8" Screw (16)
 - F. 1/4" X 20 X 1" Screw (2)
 - G. Knob Cap (2)
 - H. Thumb Knob (2)
 - I. Caster (4)

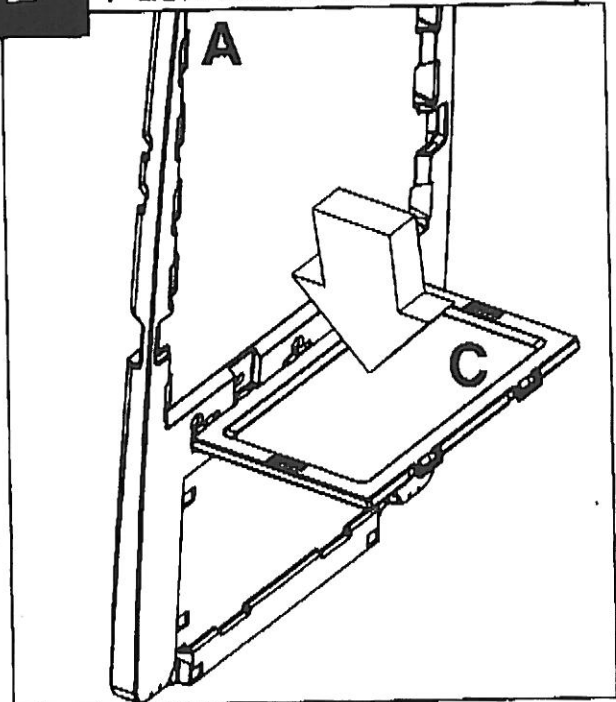


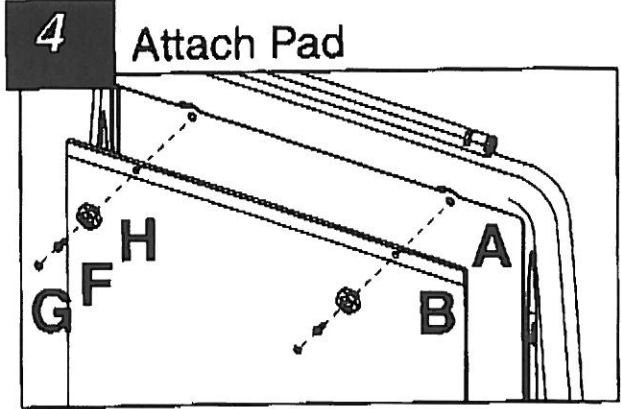
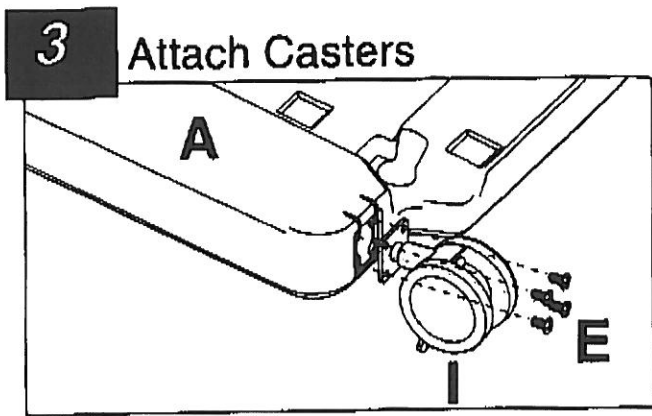
Set up

1 Position Tabs to Fit Pockets



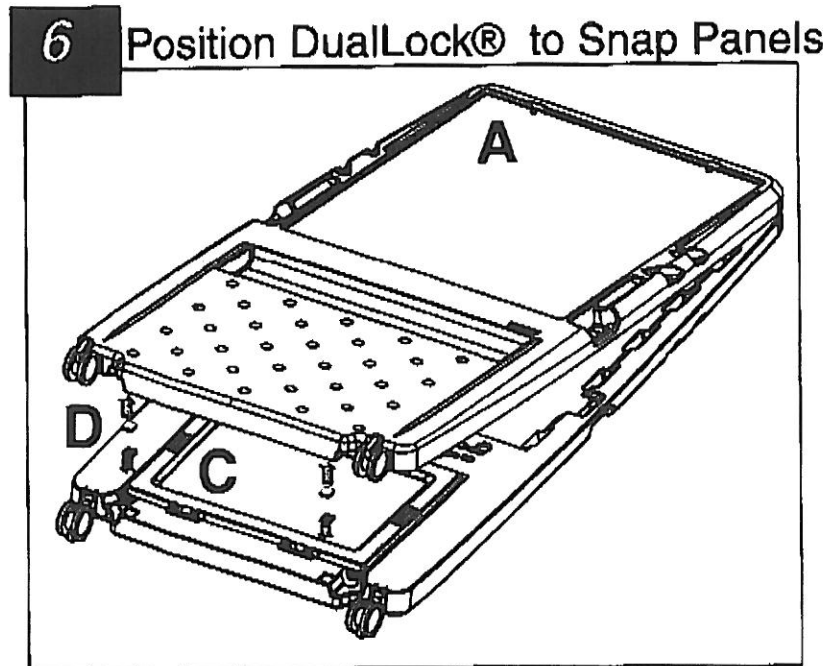
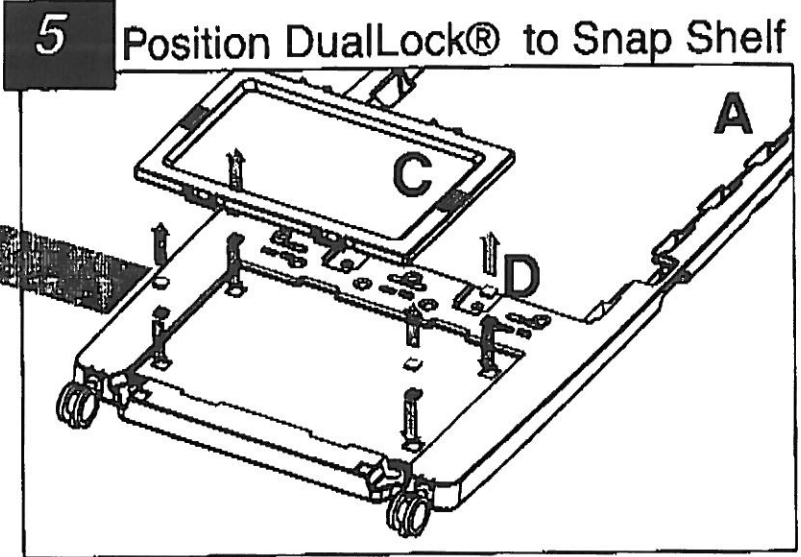
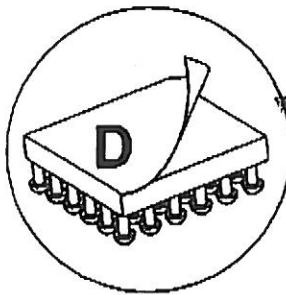
2 Push down Shelf to Snap





Storage

Peel off Backing first



Email: info@icebergenterprises.com
Iceberg Enterprises, LLC

INS600150 12/2004